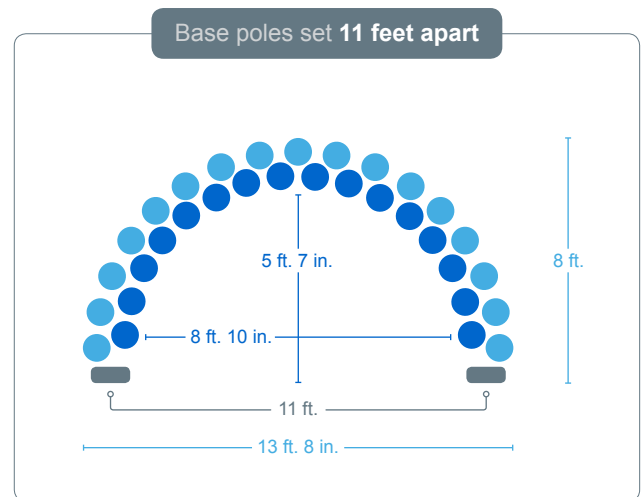
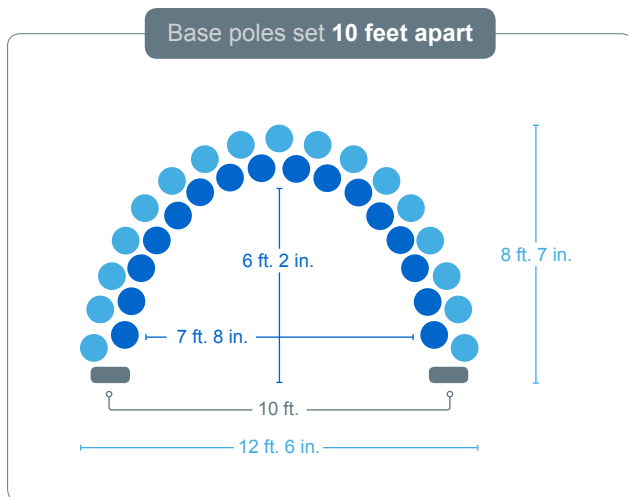
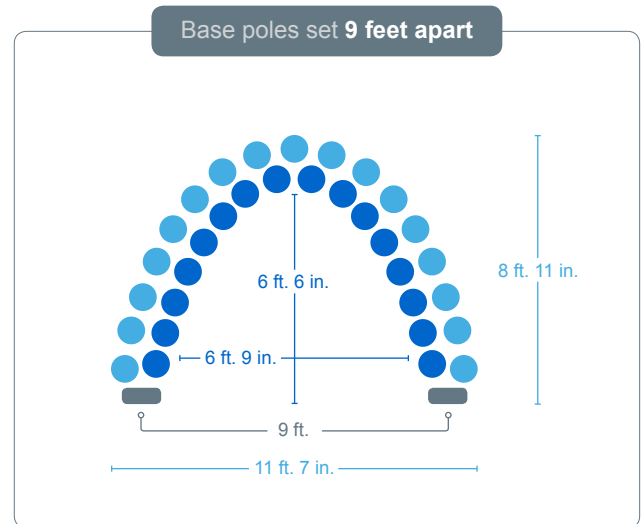
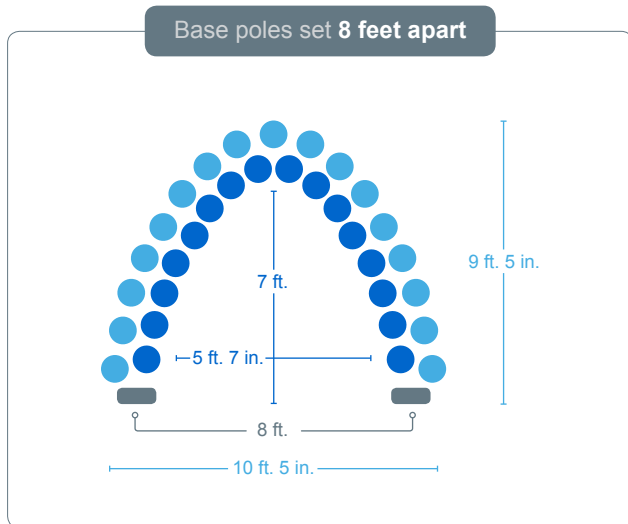


Latex arch measurements



The following diagrams illustrate the various variations for Inflate&Create arch kits when using latex balloons inflated to 11 inches. Notice that the wider you set your base poles apart, the shorter in height your balloon arch will become, and vice versa.



A leading online retailer of balloon décor

Inflate&Create offers a wide range of balloon decor products, from common party supplies, to event decor, to truly unique and one-of-a-kind products. Our product catalog is constantly growing as we continue to seek out high quality materials and hot new products at the most reasonable prices around. Call us at 1-888-88-INFLATE or visit inflateandcreate.com to view our full product catalog.